



DP SERIES INSERTION IMPELLER METERS

FLOMEC® Insertion Meters are cost effective stainless steel meters for measuring the flow of water, fuels and other low viscosity liquids in pipe sizes 1.5" – 100" (10 – 2500 mm). Insertion Meters are a flexible, economic method to measure large flow rates with small pressure drops and low installation costs, with most applications battery powered with a FLOMEC totalizer. Applications include HVAC, hot and cold water, fire systems, water distribution (management and treatment), boiler feed water, waste water and hydrant flow testing.

FEATURES / BENEFITS

- IP68 (NEMA6) submersible 316SS construction (cable connection only)
- Intrinsically safe option available
- DP525 version suitable for "hot tap" installations
- Quadrature pulse option available for bi-directional flow measurement

PRODUCT CONFIGURATION

PRODUCT IDENTIFIER **1**

DP = Insertion Meter

METER SIZE **2**

490 = 1.5 to 36" (40-900 mm)
525 = 2 to 100" (50-2500 mm) suitable for "hot-tap" installations (valve not included)

BODY MATERIAL **3**

S = 316 Stainless Steel

ROTOR/SHAFT MATERIALS **4**

2 = PVDF/316 stainless steel (260°F [120°C])
3 = PEEK/tungsten carbide (300°F [150°C])

O-RING MATERIAL **5**

1 = Viton™ 5°F to + 300°F (-15°C - + 150°C)
4 = Buna-N (Nitrile), -40°F to + 260°F (-40°C to + 125°C)

MAXIMUM TEMPERATURE LIMIT **6**

2 = 260° F (125° C) max. (available with electrical connections 5 & 6)
3 = 300° F (150° C) max. (only available with rotor/shaft type 3, electrical connection type 5, & Viton O-Ring)
5 = 212° F (100° C) max. (standard temperature rating)
8 = 176° F (80° C) max. (for non-magnetic pick-up type 4)

PROCESS CONNECTIONS **7**

1 = 1-1/2" BSPT male thread (Not available on DP525)
2 = 1-1/2" NPT male thread (Not available on DP525)
3 = 2" BSPT male thread
4 = 2" NPT male thread

PICK-UP TYPE **8**

1 = NPN open collector & voltage pulse (standard)
2 = NPN open collector only
3 = Reed switch only (may be used with an I.S. barrier or instrument in hazardous areas)
9 = Quadrature pulse output (requires F15 option for bi-directional flow capability)

ELECTRICAL CONNECTIONS **9**

C = Flying cable (5 ft [1.5 m] on DP490, 3 ft [1 m] on DP525)
2 = Flying cable – 33 ft (10 m)
5 = Terminal box on stem kit – IP67
6 = Stem kit 3/8" NPT x M16 thread (required for integral instruments)

INTEGRAL OPTIONS **10**

— =
R3 = Intrinsically Safe RT12 with all outputs (GRN housing) [IECEX & ATEX approved]
R3G = RT12 Intrinsically Safe rate totalizer with all outputs (GRN Housing) [IECEX & ATEX approved] (with gallons calibration)*#
R4 = RT40 backlit rate totalizer (Alloy housing with facia protector) [scalable pulse output, backlight]
R4G = RT40 rate totalizer with backlit large digit LCD (Alloy housings with facia) (with gallons calibration)*#
R5 = RT14 backlit rate totalizer with all outputs (GRN housing) [scaled pulse, alarms, 4-20mA, backlight]
R5G = RT14 backlit rate totalizer with all outputs (GRN Housing) (with gallons calibration)*#
F15 = F115 backlit bi-direction flow, rate/tot, pulse out, 4-20mA
F18 = F018 backlit rate/tot, pulse out, 4-20mA, 10 pt lin, HART
F19 = F018 Intrinsically Safe backlit rate/tot, pulse out, 4-20mA, 10 pt lin, HART^

--->>>> **1 2 3 4 5 6 7 8 9 10**
DP 490 S 2 1 2 -2 1 6 R5G

* Temp code 5 required when operating temperature is between 176° F (80° C) & 250° F (120° C)

Temp code 8 required for all integral instruments

^Must use pick-up type 3

SPECIFICATIONS

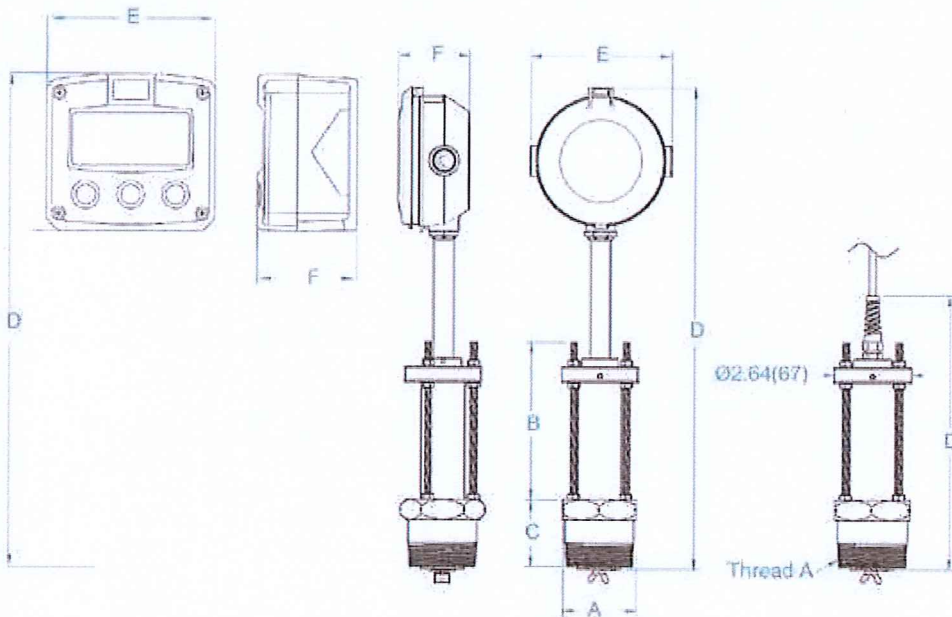
	DP490	DP525
Suits Pipe Sizes	1.5 - 35" (40-900 mm)	2 - 100" (50-2500 mm)
Pipe Connection	1.5" or 2" BSPT or NPT male thread	2" BSPT or NPT male thread
Flow Velocity Range	3 - 33 ft/sec (1 - 10 m/s)	
Linearity % of Reading	Typically $\pm 1.5\%$	
Temperature Range:	-40°F to 300°F (-40°C to 150°C)	
Max. Pressure:	1160 psi (80 bar)	
Materials	316SS body and rotor shaft	
Protection Class:	IP68 (NEMA 6), optional I.S (Intrinsically Safe) Integral options	
Pulse Outputs		
Hall Effect	3 wire open collector, 5-24v (dc), 20mA max. Nom 0 -240Hz	
Reed*	30v (dc), 200mA max. Nom 0 - 80Hz	
Voltage Pulse	Self Generated voltage, Nom 0 - 240Hz	
Non-Magnetic Sensor	3 wire open collector, 5 - 24V (dc), 20mA max. Nom 0 - 240Hz	
Optional Outputs**	4-20mA, scaled pulse, quadrature pulse	

*Reed Switch resolution is 1/3 of the NPN Hall Effect or Voltage Pulse outputs
 **Optional Integral option is required

Flying Cable Option	DP490	DP525
A - Thread	1.5" or 2" BSP or NPT	2" BSP or NPT
A - Dimension	2.36" (60 mm)	2.52" (64 mm)
B	7.8" (198 mm)	17.48" (444 mm)
C	1.5" (38 mm)	2.28" (58 mm)
D	9.33" (237 mm)	16.69" (424 mm)

Integral Option	DP490	DP525
A - Thread	1.5" or 2" BSP or NPT	2" BSP or NPT
A - Dimension	2.36" (60 mm)	2.52" (64 mm)
B	7.8" (198 mm)	17.48" (444 mm)
C	1.5" (38 mm)	2.28" (58 mm)
D - RT12/RT14	16.34" (415 mm)	35.43 in (900 mm)
D - RT40	14.96" (380 mm)	34.06" (865 mm)
D - F018/F115	16.26" (413 mm)	35.35" (898 mm)
E - RT12/RT14	0.47" (122 mm)	
E - RT40	4.45" (113 mm)	
E - F018/F115	5.12" (130 mm)	
F - RT12/RT14	2.40" (61 mm)	
F - RT40	2.48" (63 mm)	
F - F018/F115	2.95" (75 mm)	

DIMENSIONS

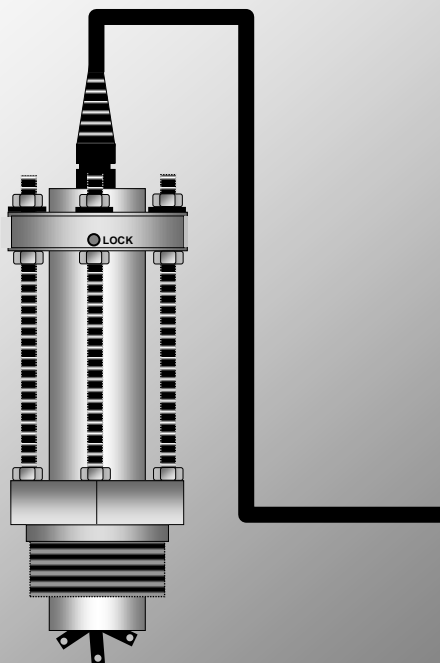


APPLICATIONS

- HVAC
- Hot and Cold Water
- Fire Systems
- Water Distribution (Management and Treatment)
- Boiler Feed Water
- Waste Water
- Hydrant Flow Testing

BI-DIRECTIONAL INSERTION METER

INSTRUCTION MANUAL



CONTENTS		PAGE
1.0	INTRODUCTION	
1.1	General arrangement	2
1.2	Overview	3
1.3	Operating principal	3
1.4	Specifications	3
2.0	INSTALLATION	
2.1	Meter location	4
2.2	Meter installation & orientation	4
2.3	Height adjustment	5
2.4	Flow direction orientation	5
2.5	Hot tap installations	6
3.0	ELECTRICAL CONNECTIONS	
3.1	Standard outputs Voltage Pulse / Hall Effect	7
3.2	Optional Hall Effect / Reed switch output	8
3.3	Optional Reed switch output	8
3.4	Instrument cable installation requirements	9
3.5	Pulse output selection (standard outputs)	9
3.6	QP Quadrature pulse output option	10
3.7	Bi-directional flow using QP option	10
3.8	Connection to family instruments	11
4.0	CALIBRATION (<i>K- factor for meter</i>)	
4.1	K-factors for common pipe ID sizes <575mm	12
4.2	K-factors for large pipe ID >460mm	12
4.3	Calculating K-factors (<i>metric units – litres or M3</i>)	13
4.4	Calculating K-factors (<i>US gallons</i>)	14
5.0	INSTALLATION GUIDELINES	15 / 16

1.1 General arrangement

Thank you for purchasing this Insertion Meter. It is important that you read this manual to gain a full understanding of the capability and operational aspects of the equipment you are about to install.

This information is provided only to assist in the installation of the product and does not diminish your obligation to read the manual.

1. Select a location that meets the requirements as illustrated in the Installation Guideline pages located at the rear of this manual. An ideal installation would provide for 25 diameters of straight pipe upstream from the meter and 10 diameters downstream.

You will also need to know the pipe internal diameter (NB) and pipe wall thickness for calculation of the insertion depth. (*refer page 5.*) Non ideal installations may require in-situ calibration (*refer to the factory for details*).

2. After screwing the Insertion Meter in place ensure the flow alignment mark located on the top positioning collar of the meter aligns with the flow in the pipe (*refer page 5*). This ensures the paddle is correctly aligned to the flow. Note. The meter is bi-directional so a flow direction arrow is not provided.

3. Calculate and adjust the height of the Insertion Meter (*refer page 5*).

4. Electrical Installation depends on the model you have purchased. If the Insertion Meter is fitted or supplied with a receiving instrument such as a totaliser or rate totaliser please refer to the appropriate manual and Page 10 of this manual. For pulse output meters, select the appropriate output and wire to your receiving device. (*refer pages 7 to 9*).

5. Calculate the Insertion Meter K (*scale*) factor to suit the installation. For ideal installations refer to page 11 or 12 or 13 of the Insertion Meter Manual. For non ideal installations the K-factor may be calculated by performing an in-situ calibration. Enter the appropriate K-factor into your receiving instrument.

1.2 Overview

The Insertion Meter provides a cost effective and simple means of measuring the flow of a wide range of low viscosity liquids. Installation is quick and inexpensive for pipe diameters ranging from 40mm to 900mm (1.5-36") and up to 2500mm (100") nominal bore for the Hot tap capable model DP525.

The Insertion Meter has a linear measuring range of 0.3~10.0 metres/sec. (1~33 ft/sec.). Minimum detectable flow velocity is 0.15 m/sec. (0.5 ft/sec.). When used in conjunction with the RT12 flow rate totaliser NLC feature the linear flow range is extended down to 0.15 m/sec. (0.5 ft/sec.) with an improved linearity.

The Insertion Meter is constructed from 316 L (1.4404) stainless steel enabling use in many applications for metering water and low viscosity chemicals.

Two independent pulse outputs are standard & can directly input to a wide range of ancillary instruments, PLC's and computers. Both pulse outputs have a high level of immunity to electrical interference. Options include a reed switch.

1.3 Operating principle

Flow passes through a pipe causing the rotor to spin. Magnets installed in the rotor pass by pulse sensors within the transducer body & in turn this produces frequency outputs proportional to flow rate.

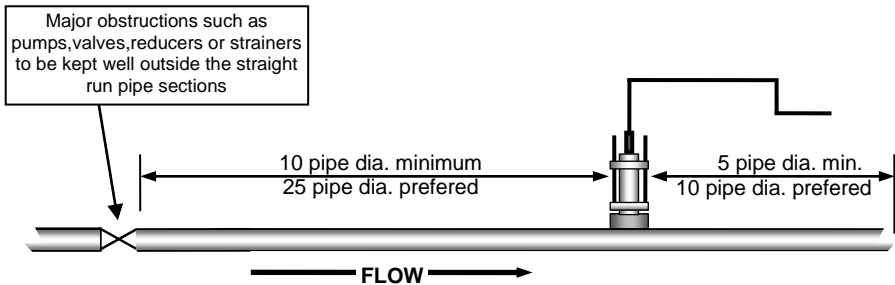
1.4 Specifications *(subject to change without notice)*

Model	490	525
Suits pipe sizes	40mm - 900mm (1.5 – 36 inches)	50mm - 2500mm (2 – 100 inches)
Flow range	0.25 - 6300 litres/sec. (4-99600 USGPM)	0.4 - 49000 litres/sec. (6-780000 USGPM)
Process connections	1.5" or 2" NPT or BSPT	2" NPT or BSPT
Velocity range	0.3 - 10 metres/sec. (1 - 33 feet/sec.)	
Linearity	typically $\pm 1.5\%$ O.R. (1-10m/s) $\pm 1.5\%$ F.S. (0.3-1m/s)	
Repeatability	typically $\pm 0.5\%$	
Pressure (max)	80 Bar (1200PSI)	
Temperature range	-40°C to 100°C (-40°F to 212°F) standard Other temperature ranges available	
Body material	316L stainless steel (1.4404)	
Rotor materials	Carbon Fibre filled PVDF (<i>standard</i>) or optional PEEK rotor with PEEK-HPV bearing	
O-Ring material	VITON - options available	
ELECTRICAL		
(a) Square wave (Hall Effect)	5-24vdc, 3wire NPN open collector (20mA max. current sink)	
(b) Reed Switch (to 100°C)	30vdc max. x 20mA max. (output freq. is 1/3 std. K-factor)	
Output freq. @ max. velocity	(a) outputs 220~240 Hz	(b) output 73~80 Hz
Transmission distance	1000 metres (3300 feet) maximum	
Wiring (standard)	5 core, screened cable length 1.5m/5ft (DP490) or 1m/3ft (DP525)	
Protection class	IP68 submersible (Nema 6X)	
Conduit entry (terminal box)	M20 x 1.5	
Shipping Weight	1.2 kg (2.7 lbs.)	1.5 kg (3.3 lbs.)

2.1 Meter location

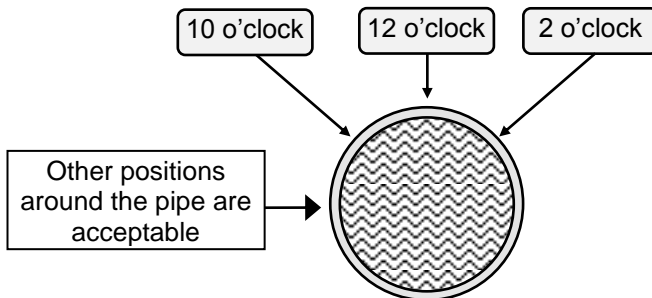
Choose an appropriate section of horizontal or vertical pipe as per the guidelines below. With vertical pipe installations the media should be pumped up through the pipe past the flow sensor so that any entrained air will pass freely.

The Insertion Meter requires a fully developed turbulent flow profile to ensure maximum measurement accuracy and repeatability. This can be achieved by installing the Insertion Meter in a straight run of pipe. We recommend at least 10 but ideally 25 straight pipe diameters upstream & at least 5 but ideally 10 pipe diameters downstream of the Insertion Meter. Major obstructions such as pumps, valves or strainers will require longer straight runs before and after the Insertion Meter.



2.2 Meter installation & orientation

Cut a 40mm diameter hole (1.6") on either the 2, 10 or 12 o'clock positions of the pipe. If there is any likelihood of air entrainment in a horizontal pipe do not locate the flow transducer in the 12 o'clock position.



Install a female threaded weld on fitting (threadolet) or service saddle. Wrap the threads of the Insertion Meter with Teflon tape or sealing compound & screw the unit into the installed fitting.

2.3 Height adjustment calculation

Calculate the adjustment height **A** for DP490 (or **AA** for the DP525) as follows:

$$A \text{ (for DP490)} = 175\text{mm (6.9")} - (B + C + D)$$

$$AA \text{ (for DP525)} = 420\text{mm (16.5")} - (B + C + D)$$

Where :

B = Distance between the top of the pipe & the top of the hex adaptor.

C = Pipe wall thickness

D = Insertion depth (pipe ID ÷ 8)

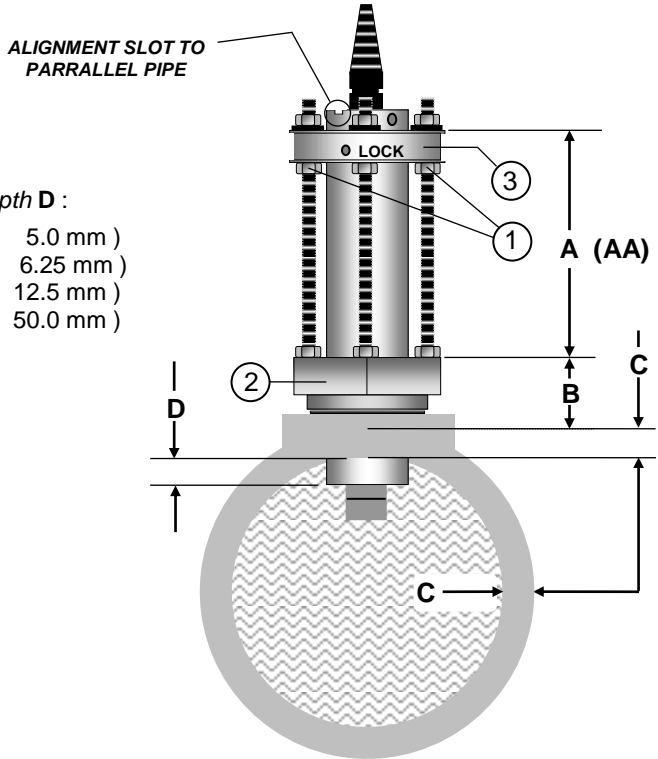
Examples of insertion depth **D** :

For 40mm pipe ID (**D**= 5.0 mm)

For 50mm pipe ID (**D**= 6.25 mm)

For 100mm pipe ID (**D**= 12.5 mm)

For 400mm pipe ID (**D**= 50.0 mm)



Turn the height adjustment nuts (1) as required so that the distance between the top of the hex adaptor (2) and the top of the positioning collar (3) equals your calculated distance **A** (for DP490) or **AA** for model DP525. Retighten the height adjustment nuts (1).

2.4 Flow direction orientation

The unit is bi-directional however the paddle must be aligned with the direction of flow.

Using a 2mm hex key (Allen key), unlock the locking screw located on the positioning collar (3) then insert the hex key (as a lever) in the body rotating hole located above the collar, turn the body until the alignment slot is parallel with the direction of pipe. Retighten the locking screw.

2.5 Hot tap installation
(model DP525)

Clean & lubricate screw threads before withdrawing the Meter body in order to avoid nut seizure

IMPORTANT
Before removing the DP525 from the installation first withdraw the Meter body to the maximum distance allowed by the three height adjusting threaded rods. This will enable the isolating valve to be fully closed without damaging the paddle.

If necessary extend valve port using a 2" nipple & socket combination to ensure the paddle is clear of the ball valve.

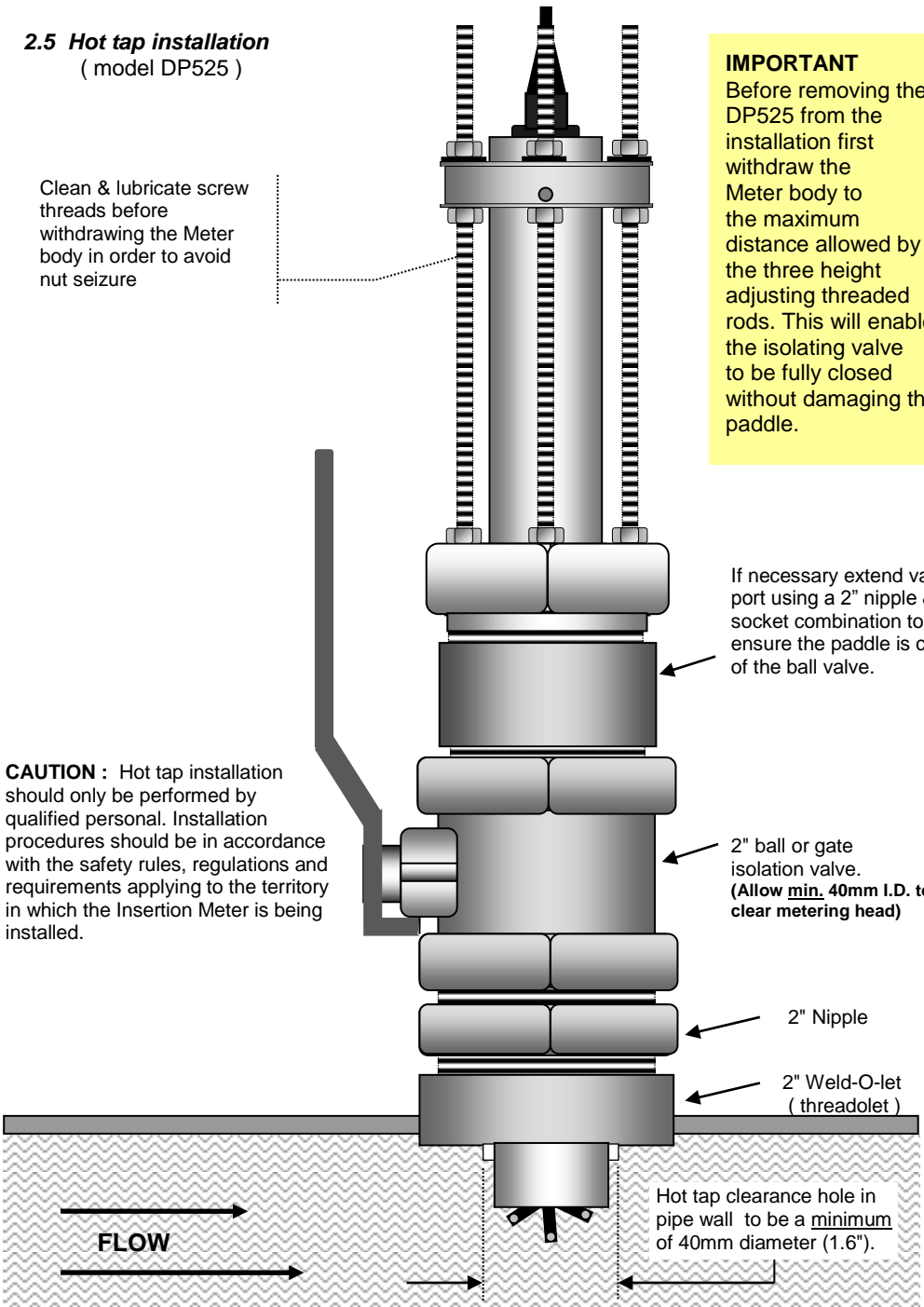
CAUTION : Hot tap installation should only be performed by qualified personal. Installation procedures should be in accordance with the safety rules, regulations and requirements applying to the territory in which the Insertion Meter is being installed.

2" ball or gate isolation valve. (Allow min. 40mm I.D. to clear metering head)

2" Nipple

2" Weld-O-let (threadolet)

Hot tap clearance hole in pipe wall to be a minimum of 40mm diameter (1.6").

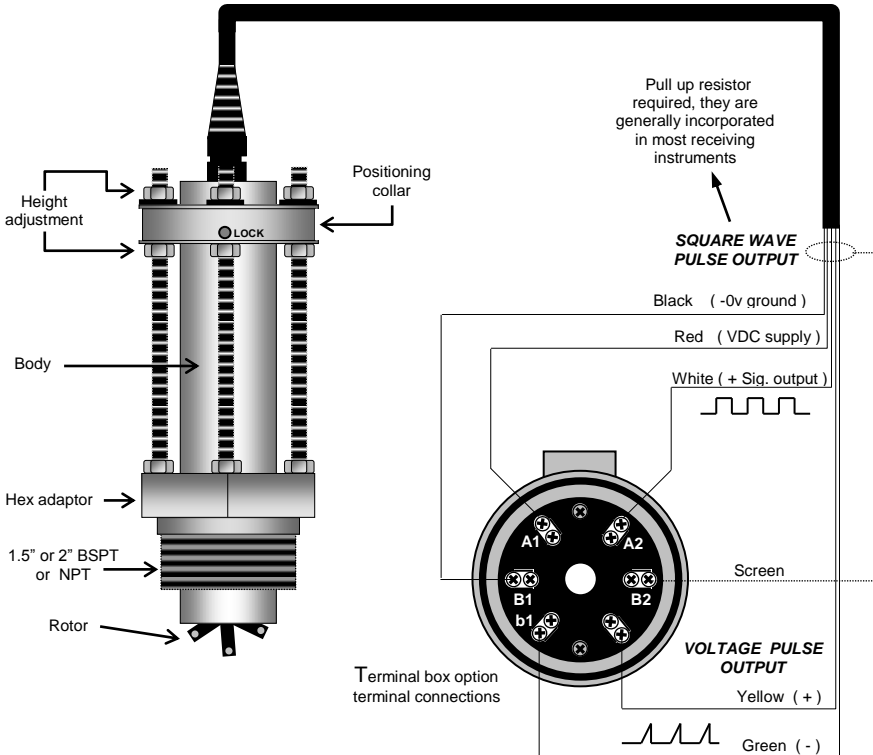


3.0 ELECTRICAL CONNECTIONS

(see page 10 for QP outputs)

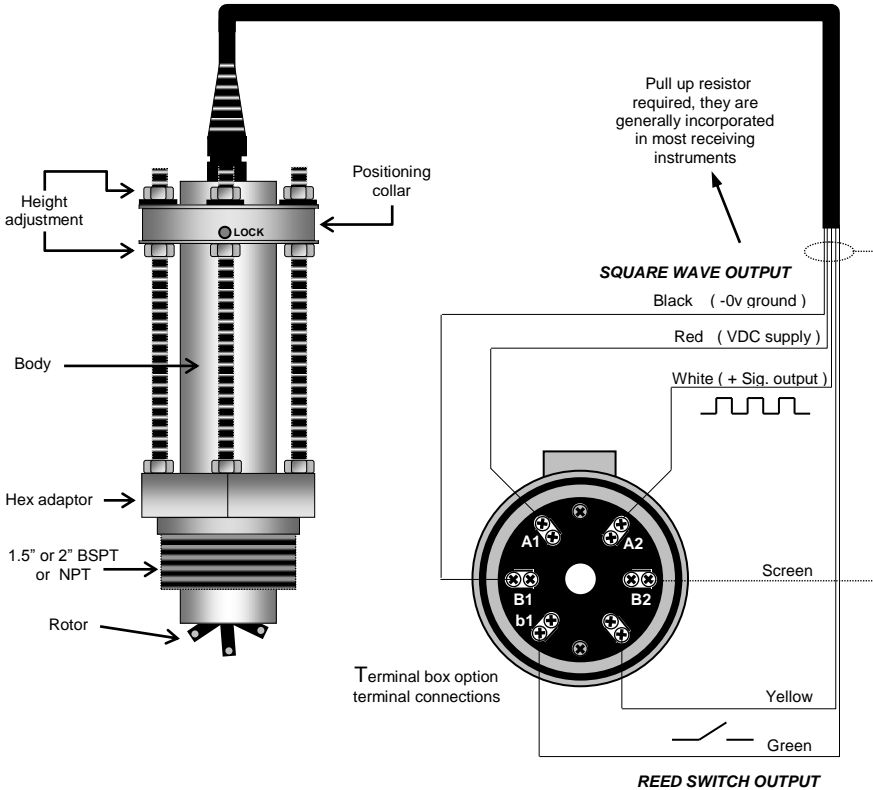
3.1 Standard outputs – NPN Hall Effect + Voltage Pulse outputs

Conductor color coding also applies to the Non-magnetic sensor and high temperature output options



3.2 Optional – NPN Hall Effect + Reed Switch outputs

Conductor color coding also applies to the Non-magnetic sensor and high temperature output options



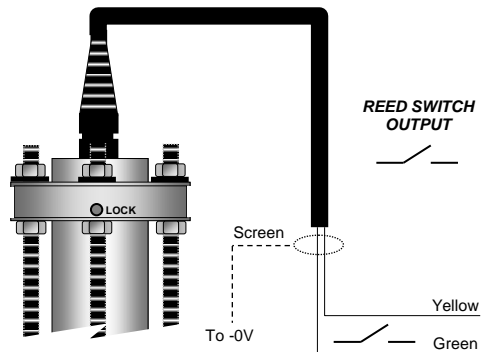
3.3 Optional - Reed switch only

HAZARDOUS AREAS

The REED SWITCH output is classed as a "simple apparatus" as defined in the CENELEC standard EN50020 & recognized IEC & ATEX directive. It can be connected to an approved I.S. secondary instrument with both being located in the hazardous area.

The Reed Switch may also be connected through an approved I.S. barrier.

Note: The Reed switch produces 1/3rd the normal pulse output value (eg. 1/3 the standard K-factor)



3.4 Instrument cable installation requirements

Use twisted multi-core low capacitance shielded instrument cable (22 AWG ~ 7x 0.3 stranded) for electrical connection between the Insertion Meter and the remote instrumentation. The screen should be earthed at the readout instrument end only to protect the transmitted signal from mutual inductive interference.

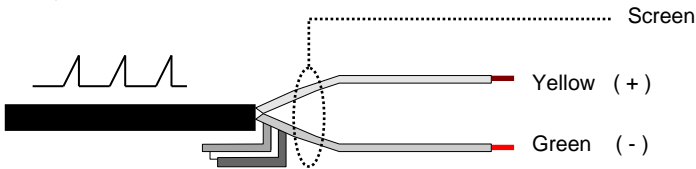
The cable should **not** be run in a common conduit or parallel with power and high inductive load carrying cables as power surges may induce erroneous noise transients onto the transmitted pulse signal. Run the cable in separate conduit or with other low energy instrument cables.

3.5 Pulse output selection (standard outputs)

The standard Insertion Meter has two independent pulse output signals that are linearly proportional to volumetric flow rate. Pulse transmission can be up to 1000 metres (3300 ft). An optional intrinsically safe (I.S.) Reed Switch only output is available (see page 7).

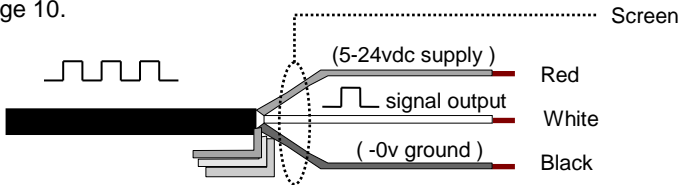
Voltage pulse (pulse wire) output

A self-generating pulse output which produces a strong 1.5 volt voltage spike of approximately 10 micro/second duration with no dependence on rotor speed.



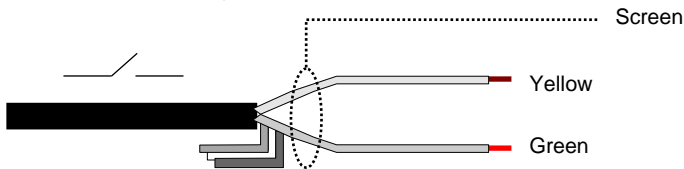
Square Wave Pulse (Hall sensor) (also applies to non-magnetic & QP Hall outputs)

An NPN open collector transistor pulse output produced by a solid state Hall Effect device. This three wire device requires 5~24vdc and produces an NPN square wave output (20mA max. sink), pulse width is 2~75 mSec. The Hall output requires a pull up resistor, these are generally incorporated in most receiving instruments. For (QP) Quadrature pulse output refer details page 10.



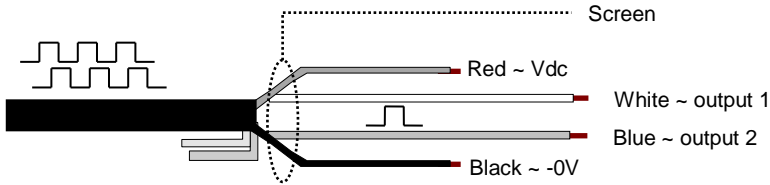
Reed Switch output

The Reed Switch has a fast response capable of frequencies in excess of 80hz. Receiving instruments should have the ability to suppress reed switch bounce (0.01µf capacitor) and a 1 meg pull up resistor would be typical.



3.6 Quadrature outputs

Insertion Meters supplied with the QP option produce two NPN open collector pulse outputs from two Hall Effect sensors. The outputs are “ phase offset ” in their timing so that external electronics are able to differentiate. These outputs may be used to assure output signal integrity or to measure bi-directional flow.

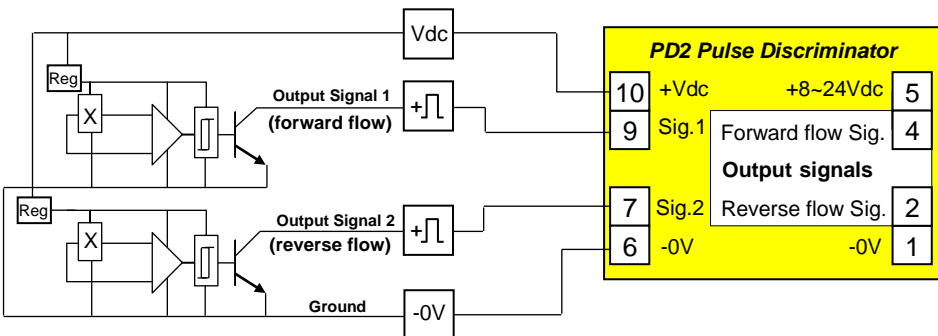


3.7 Bi-directional flow

The Insertion Meter is capable of accurately measuring flow in both directions without modification. Meters fitted with the QP output option (quadrature pulse output) may be interfaced with the Pulse Discriminator Module (PD2). The PD2 accepts the Quadrature pulse inputs & from these will discriminate between forward & reverse flow. Two individual & proportional pulse outputs can then be sent to appropriate totalising registers or an add and subtract flow rate totaliser.

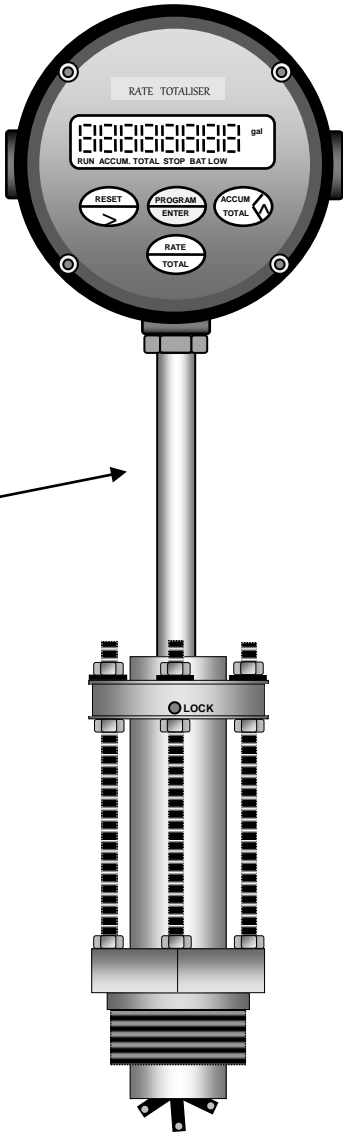
It is **important to note** that the Quadrature Pulse option has the same pulse resolution (pulses/unit volume) as a standard Insertion Meter for both forward & reverse outputs.

Flowmeter with QP outputs



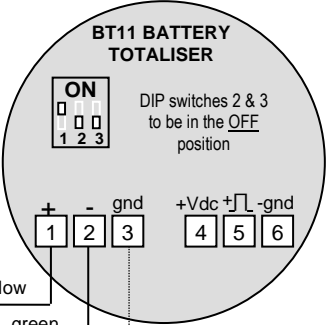
3.8 Voltage Pulse Connection to family instruments

Note: For other output styles see receiving instrument manual

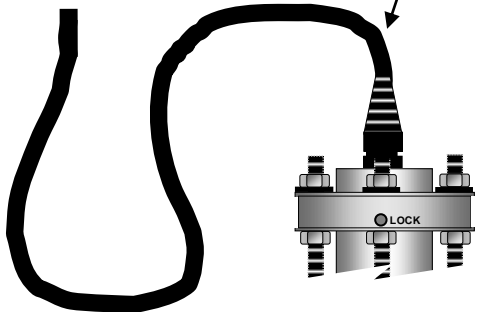


Flow instruments or a terminal box can be directly mounted to the Insertion Meter using kits

1	RATE TOTALISER & ECOBATCH INSTRUMENTS DIP switches 3, 2, 1 all in the OFF position	14
2		13
3		12
4		11
5	-0V (ground)	10
6		9
7		8



The Insertion Meter cable should not be run with other high energy cables (clause 3.3).



4.0 K – FACTORS (calibration factors for meter)

The K-factor (pulses / litre, gallon etc.) will vary in relation to the bore size of the pipe in which the Insertion Meter is installed.

The K-factors and formula shown are a result of factory testing using smooth bore piping under ideal conditions. Variations to the given K-factors may occur when using rough bore piping or inadequate flow conditioning on either side of the Insertion Meter (refer clause 2.1). In these instances on site calibration may be used to determine the K-factor.

4.1 Insertion Meter K- factors for common pipe sizes

Pipe detail		K-factors (standard K-factors for square wave output only)					
NB	pipe ID	Schedule 40 pipe			Schedule 80 pipe		
inches	mm	p / litre	p / m3	p / USgal	p / litre	p / m3	p / USgal
1.5"	40.9	18.678	18678	70.695	21.524	21524	81.468
2"	52.6	11.238	11238	42.534	12.818	12818	48.517
2.5"	62.7	7.880	7880	29.824	8.899	8899	33.682
3"	78.0	5.062	5062	19.161	5.676	5676	21.485
3.5"	90.2	3.768	3768	14.263	4.200	4200	15.896
4"	102.4	2.912	2912	11.021	3.233	3233	12.237
5"	128.3	1.839	1839	6.959	2.025	2025	7.665
6"	153.9	1.268	1268	4.798	1.402	1402	5.307
8"	203	0.719	719.0	2.721	0.787	787.2	2.980
10"	255	0.450	450.3	1.705	0.496	495.9	1.877
12"	303	0.316	316.0	1.196	0.347	347.4	1.315
14"	333	0.261	260.5	0.986	0.286	285.7	1.081
16"	381	0.198	198.0	0.750	0.217	217.0	0.821
18"	429	0.156	155.8	0.590	0.171	170.6	0.646
20"	478	0.125	125.4	0.475	0.138	137.8	0.521
24"	575	0.087	86.64	0.328	0.095	95.39	0.361

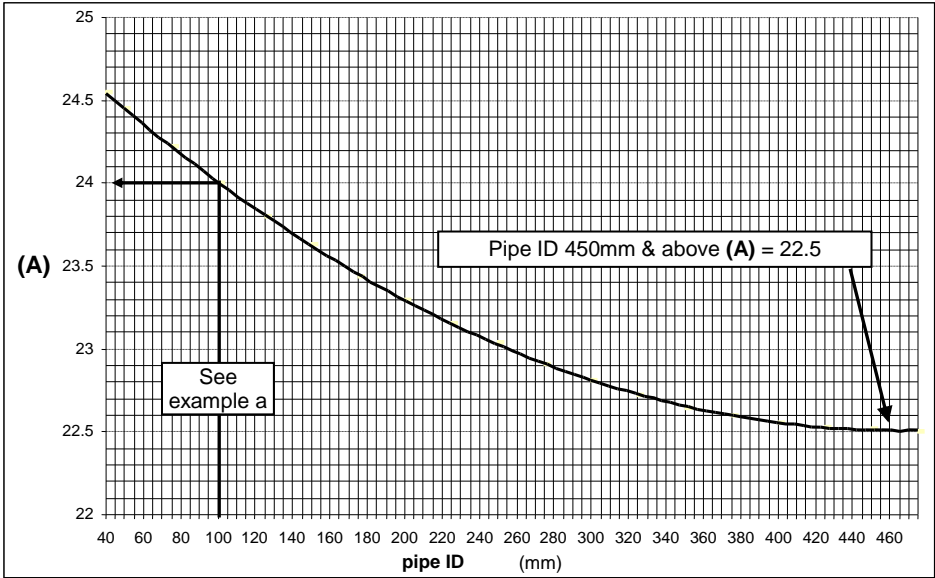
For other pipe sizes below 610mm (24") not listed above, use the graphs and apply the formula on the following pages (12 & 13).

4.2 K-factors for large pipes 460mm ID (18") and above use:

Pulses per litre	=	28647 ÷ pipe ID ² (mm)
Pulses per M³	=	28647000 ÷ pipe ID ² (mm)
Pulses per US gallon	=	168.14 ÷ pipe ID ² (inches)
Pulses per Imp. gallon	=	201.94 ÷ pipe ID ² (inches)

NOTE : K-factors for Reed Switch output are 1/3 the standard factors of the square wave pulse output

4.3 Calculating K-factors (litres or m³)



Calculate K-factor (pulses / litre) using the above graph and the metric constant of 1273.2 as follows :

$$\text{Pulses / litre} = \frac{1273.2 \times (\mathbf{A}) \text{ from graph}}{\text{pipe ID}^2 \text{ (mm)}}$$

Example 'a' :

K-factor for 100mm pipe: **1)** from graph 100mm ID (**A**) = 24.0

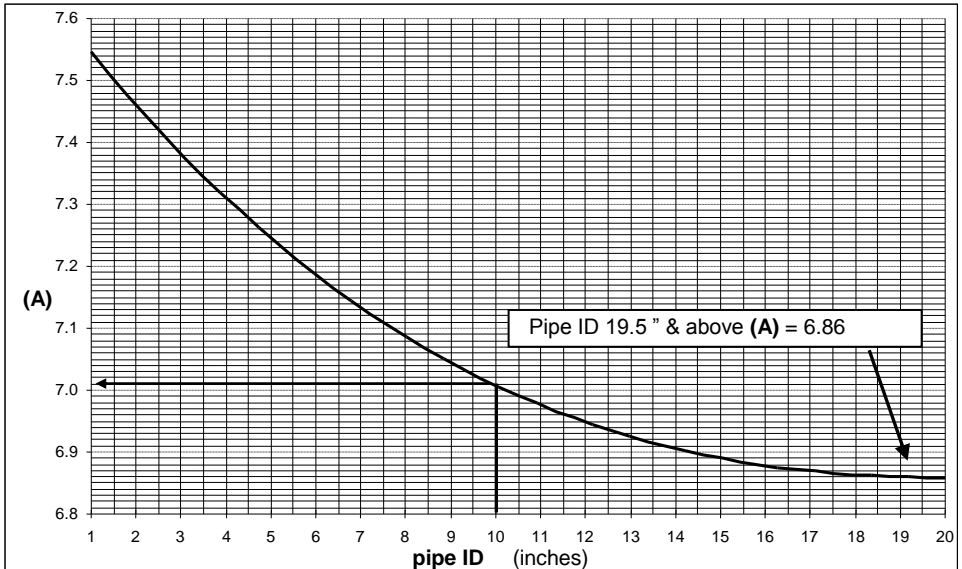
$$\mathbf{2)} \text{ pulses/litre.} = \frac{1273.2 \times 24.0}{10000} = \mathbf{3.056 \text{ p/litre}}$$

K-factor for m³ : multiply by 1000 eg. K = 3056 p/m³

K-factor for megalitres : multiply by 1000000 eg. K = 3056000 p/megalitre

NOTE : K-factors for Reed Switch output option are 1/3 the standard factors of voltage pulse output.

4.4 Calculating K-factors (US gallons)



Calculate K-factor (pulses / gallon) using the above graph and the volumetric constant of 24.51 as follows :

$$\text{Pulses / US gal.} = \frac{24.51 \times (\mathbf{A}) \text{ from graph}}{\text{pipe ID}^2 \text{ (inches)}}$$

Example 'b' :

K-factor for 10" pipe: 1) from graph 10" ID (**A**) = 7.01

$$2) \text{ pulses/gal.} = \frac{24.51 \times 7.01}{100} = \underline{\underline{1.718}} \text{ p/gal}$$

NOTE : K-factors for Reed Switch output option are 1/3 the factors of the square wave pulse output.

5.0 INSTALLATION GUIDELINES

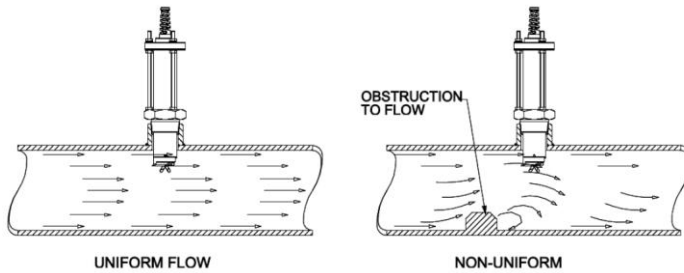
1. GENERAL

The flow profile must be uniform at the point where the Insertion Meter is to be installed, otherwise inaccurate and unstable readings will result.

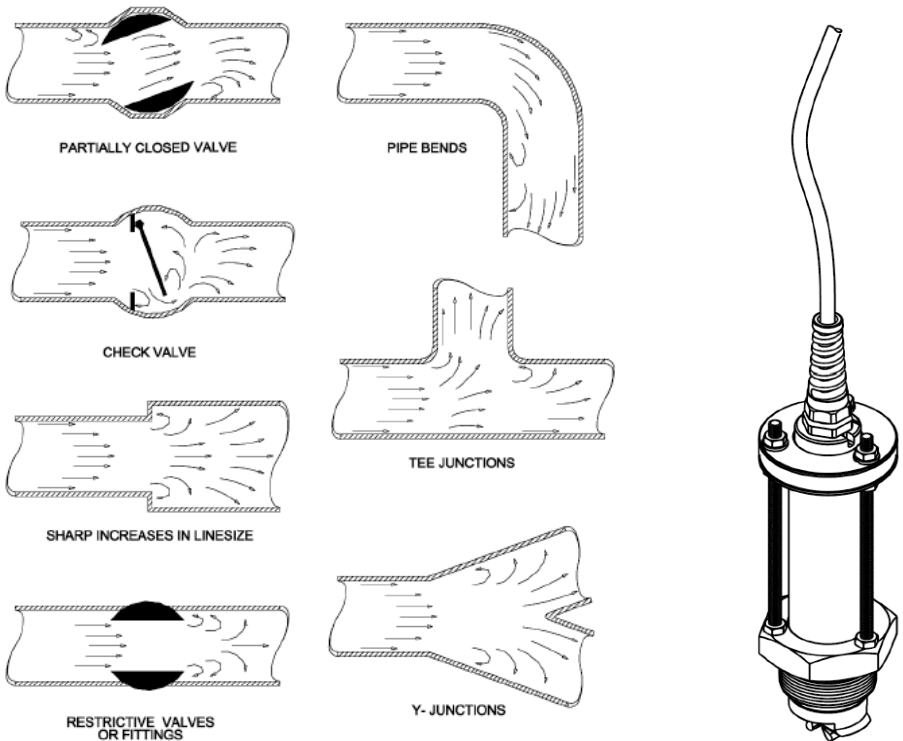
British Standard: BS 1042 gives a full insight into flow conditioning for inferential flow devices

The general rule is to have a minimum of 10 diameters of straight pipe runs before the flowmeter (upstream) and 5 diameters after (downstream). These straight runs must not contain any other items such as Valves, Bends, Tees, Probes, or Reducers etc.

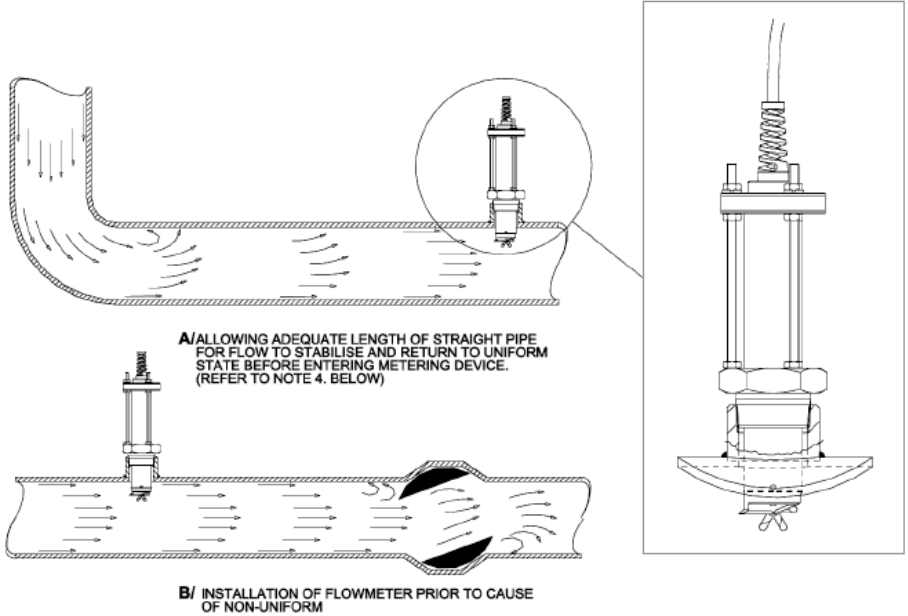
Any Valves immediately outside the straight runs require doubling of the straight pipe run lengths.



2. COMMON CAUSES OF NON-UNIFORM FLOW



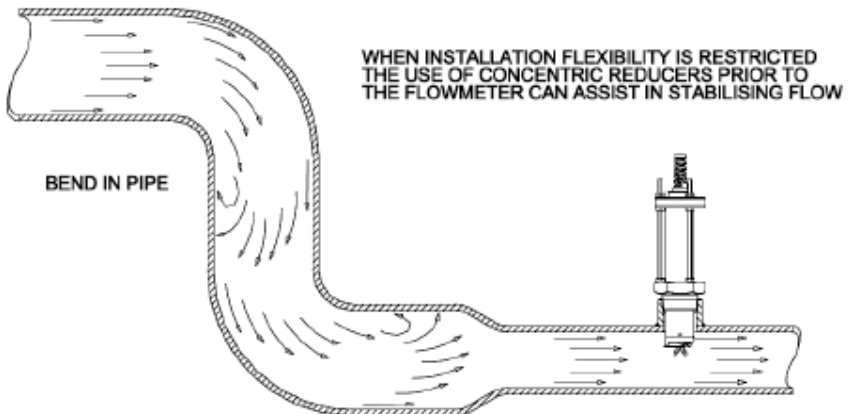
3. PRECAUTIONS FOR AVOIDING NON-UNIFORM FLOW



4. RECOMMENDED LENGTHS OF STRAIGHT PIPE FOR TYPICAL CASES

DEPENDING ON THE MAGNITUDE OF THE DISRUPTION TO FLOW RECOMENDATIONS ARE AS FOLLOWS:
A/ VALVES AND FILTERS: MINIMUM OF 10 DIAMETERS OF STRAIGHT PIPE PRIOR TO FLOWMETER
B/ ELBOWS: MINIMUM OF 6 DIAMETERS OF STRAIGHT PIPE PRIOR TO FLOWMETER
C/ INCREASES IN LINE SIZE: 4 - 8 DIAMETERS OF STRAIGHT PIPE DEPENDING ON INCREASE OF LINE SIZE
D/ CONCENTRIC DECREASES IN LINE SIZE: MINIMUM 4 DIAMETERS OF STRAIGHT PIPE PRIOR TO FLOWMETER (AS SHOWN IN 5. BELOW)

5. RECOMMENDED SOLUTIONS FOR RESTRICTED CASES



NOTES:

NOTES:

